

CADET GIRL'S TEAMS

ENTERED 36 TEAMS

1st STAGE

LEVEL 1

Group A		1	2	3	4		
1	ROU						
2	SCG						
3	CZE						
4	ITA						
		16/07	09.00	T10	A 1-4		
		16/07	09.00	T11	A 2-3		
		16/07	16.30	T1	A 1-3		
		16/07	16.30	T2	A 2-4		
		17/07	11.30	T10	A 1-2		
		17/07	11.30	T11	A 3-4		

Group B		1	2	3	4		
1	HUN						
2	POL						
3	UKR						
4	ENG						
		16/07	09.00	T12	B 1-4		
		16/07	09.00	T13	B 2-3		
		16/07	16.30	T3	B 1-3		
		16/07	16.30	T4	B 2-4		
		17/07	11.30	T12	B 1-2		
		17/07	11.30	T13	B 3-4		

Group C		1	2	3	4		
1	RUS						
2	BLR						
3	FRA						
4	HRV						
		16/07	09.00	T14	C 1-4		
		16/07	09.00	T15	C 2-3		
		16/07	16.30	T5	C 1-3		
		16/07	16.30	T6	C 2-4		
		17/07	11.30	T14	C 1-2		
		17/07	11.30	T15	C 3-4		

Group D		1	2	3	4		
1	GER						
2	SWE						
3	LTU						
4	ESP						
		16/07	09.00	T16	D 1-4		
		16/07	09.00	T17	D 2-3		
		16/07	16.30	T7	D 1-3		
		16/07	16.30	T8	D 2-4		
		17/07	11.30	T16	D 1-2		
		17/07	11.30	T17	D 3-4		

LEVEL 2

Group E		1	2	3	4		
1	POR						
2	BIH						
3	FIN						
4	DEN						
		16/07	14.00	T18	E 1-4		
		16/07	14.00	T19	E 2-3		
		17/07	09.00	T23	E 1-3		
		17/07	09.00	T24	E 2-4		
		17/07	16.30	T23	E 1-2		
		17/07	16.30	T24	E 3-4		

Group F		1	2	3	4		
1	BUL						
2	AUT						
3	SUI						
4	KOS						
		16/07	14.00	T20	F 1-4		
		16/07	14.00	T21	F 2-3		
		17/07	09.00	T25	F 1-3		
		17/07	09.00	T26	F 2-4		
		17/07	16.30	T25	F 1-2		
		17/07	16.30	T26	F 3-4		

Group G		1	2	3		
1	NED					
2	LUX					
3	SCO					
		16/07	14.00	T22	G 2-3	
		17/07	09.00	T27	G 1-3	
		17/07	16.30	T27	G 1-2	

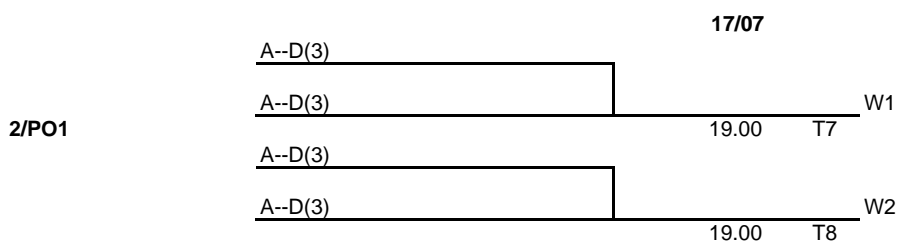
Group H		1	2	3		
1	BEL					
2	EST					
3	NOR					
		16/07	14.00	T23	H 2-3	
		17/07	09.00	T28	H 1-3	
		17/07	16.30	T28	H 1-2	

Group I		1	2	3		
1	SVK					
2	SVN					
3	MTN					
		16/07	11.30	T27	I 2-3	
		16/07	16.30	T18	I 1-3	
		17/07	11.30	T22	I 1-2	

Group J		1	2	3		
1	TUR					
2	GRE					
3	IRL					
		16/07	11.30	T28	J 2-3	
		16/07	16.30	T19	J 1-3	
		17/07	11.30	T23	J 1-2	

**Play-off matches Nr.1**

4 teams finished 3rd in groups A, B, C, D (A--D(3))

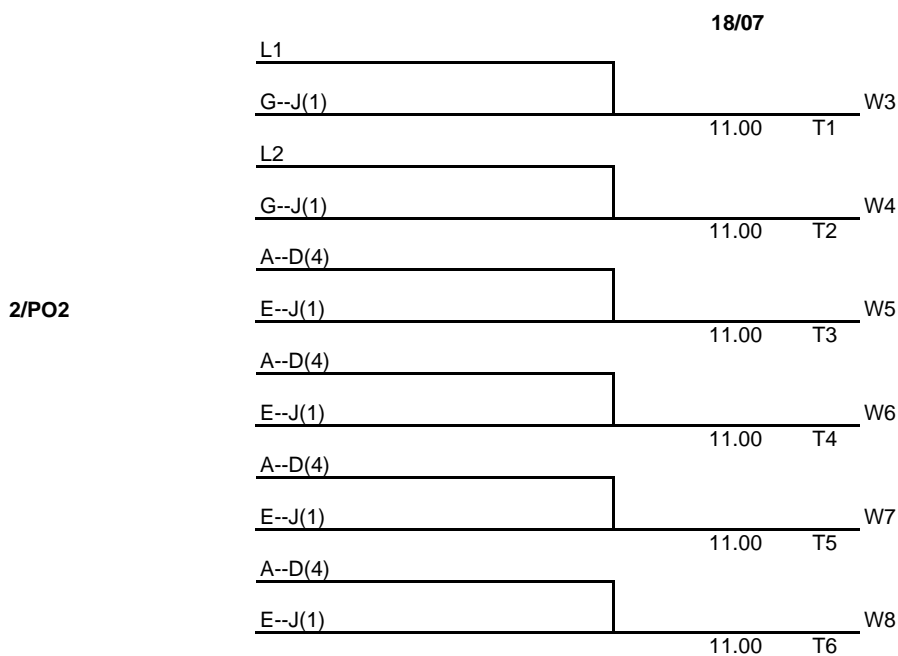


**Play-off matches Nr.2**

2 losers of play-off matches Nr.1 (L1, L2)

4 teams finished 4th in groups A, B, C, D (A--D(4))

6 winners of the groups E, F, G, H, I, J (E--J(1))

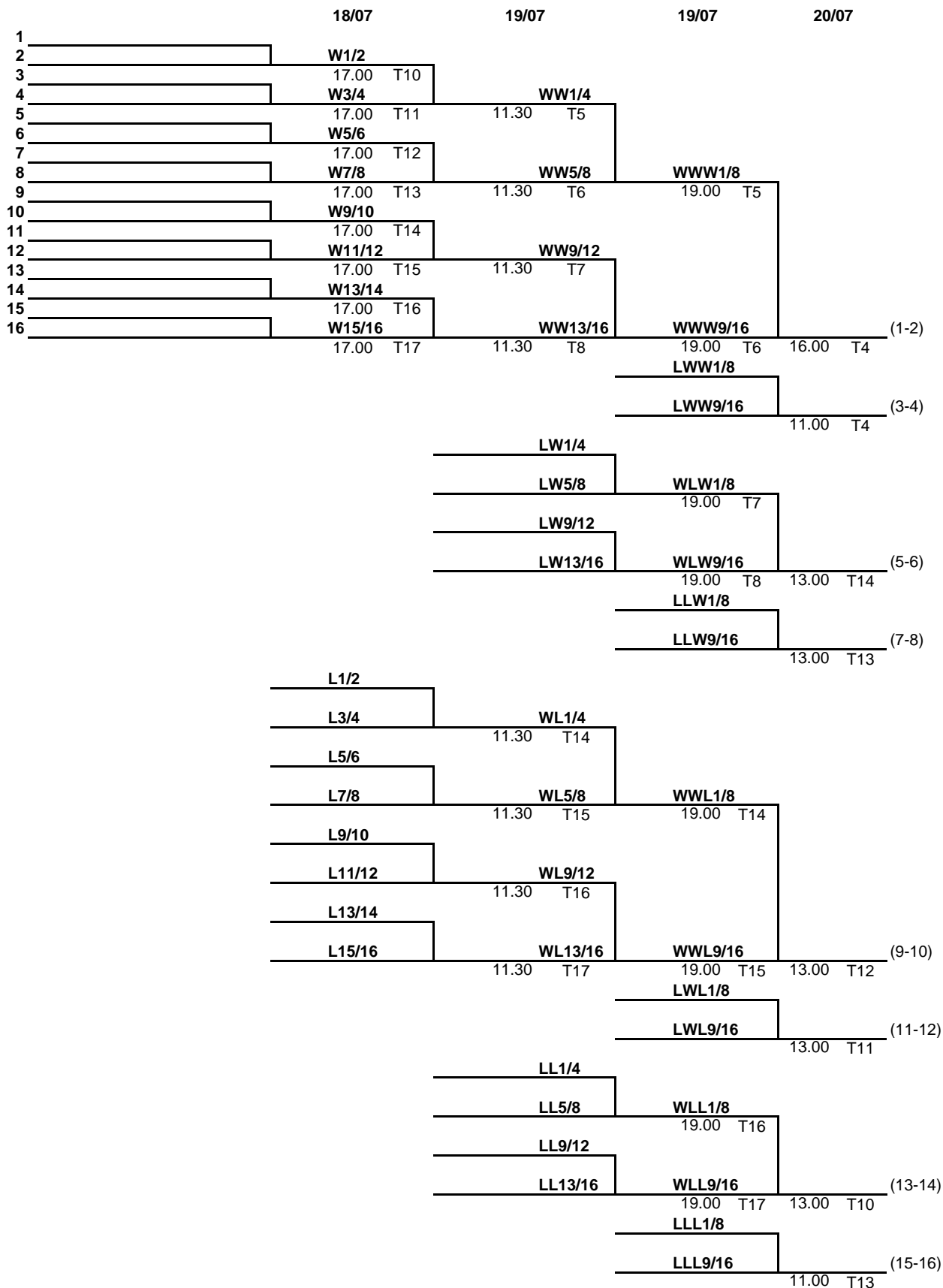


CADET GIRL'S TEAMS

3rd STAGE

LEVEL 1

Final places 1-16





**CADET GIRL'S TEAMS**

**LEVEL 3**

**3rd STAGE**

**Final places 29-36**

Entered 8 teams:

6 teams finished 3rd in groups E, F, G, H, I, J

2 teams finished 4th in groups E, F

<b>Group O</b>	<b>1</b>	<b>2</b>	<b>3</b>	<b>4</b>		
<b>1</b>						
<b>2</b>						
<b>3</b>						
<b>4</b>						
	18/07	11.00	T14	O 1-4		
	18/07	11.00	T15	O 2-3		
	18/07	19.00	T23	O 1-3		
	18/07	19.00	T24	O 2-4		
	19/07	14.00	T5	O 1-2		
	19/07	14.00	T6	O 3-4		

<b>Group P</b>	<b>1</b>	<b>2</b>	<b>3</b>	<b>4</b>		
<b>1</b>						
<b>2</b>						
<b>3</b>						
<b>4</b>						
	18/07	11.00	T16	P 1-4		
	18/07	11.00	T17	P 2-3		
	18/07	19.00	T25	P 1-3		
	18/07	19.00	T26	P 2-4		
	19/07	14.00	T7	P 1-2		
	19/07	14.00	T8	P 3-4		

**20/07**

<b>O1</b>			
<b>P1</b>			(29-30)
		09.00 T21	
<b>O2</b>			
<b>P2</b>			(31-32)
		09.00 T20	
<b>O3</b>			
<b>P3</b>			(33-34)
		09.00 T19	
<b>O4</b>			
<b>P4</b>			(35-36)
		09.00 T18	