

JUNIOR GIRL'S TEAMS

ENTERED 38 TEAMS

1st STAGE

LEVEL 1

Group A		1	2	3	4		
1	GER						
2	NED						
3	HUN						
4	UKR						
		16/07	11.30	T10	A 1-4		
		16/07	11.30	T11	A 2-3		
		16/07	19.00	T1	A 1-3		
		16/07	19.00	T2	A 2-4		
		17/07	14.00	T10	A 1-2		
		17/07	14.00	T11	A 3-4		

Group B		1	2	3	4		
1	SCG						
2	POL						
3	HRV						
4	SWE						
		16/07	11.30	T12	B 1-4		
		16/07	11.30	T13	B 2-3		
		16/07	19.00	T3	B 1-3		
		16/07	19.00	T4	B 2-4		
		17/07	14.00	T12	B 1-2		
		17/07	14.00	T13	B 3-4		

Group C		1	2	3	4		
1	ROU						
2	FRA						
3	SVK						
4	ENG						
		16/07	11.30	T14	C 1-4		
		16/07	11.30	T15	C 2-3		
		16/07	19.00	T5	C 1-3		
		16/07	19.00	T6	C 2-4		
		17/07	14.00	T14	C 1-2		
		17/07	14.00	T15	C 3-4		

Group D		1	2	3	4		
1	CZE						
2	RUS						
3	SVN						
4	BEL						
		16/07	11.30	T16	D 1-4		
		16/07	11.30	T17	D 2-3		
		16/07	19.00	T7	D 1-3		
		16/07	19.00	T8	D 2-4		
		17/07	14.00	T16	D 1-2		
		17/07	14.00	T17	D 3-4		

LEVEL 2

Group E		1	2	3	4		
1	0						
2	ITA						
3	CYP						
4	BLR						
		16/07	11.30	T19	E 2-3		
		17/07	09.00	T2	E 2-4		
		17/07	16.30	T15	E 3-4		

Group F		1	2	3	4		
1	BIH						
2	SUI						
3	BUL						
4	KOS						
		16/07	11.30	T20	F 1-4		
		16/07	11.30	T21	F 2-3		
		17/07	09.00	T3	F 1-3		
		17/07	09.00	T4	F 2-4		
		17/07	16.30	T16	F 1-2		
		17/07	16.30	T17	F 3-4		

Group G		1	2	3	4		
1	LTU						
2	MDA						
3	WAL						
4	MTN						
		16/07	11.30	T22	G 1-4		
		16/07	11.30	T23	G 2-3		
		17/07	09.00	T5	G 1-3		
		17/07	09.00	T6	G 2-4		
		17/07	16.30	T18	G 1-2		
		17/07	16.30	T19	G 3-4		

Group H		1	2	3		
1	ESP					
2	TUR					
3	SCO					
		16/07	11.30	T24	H 2-3	
		17/07	09.00	T7	H 1-3	
		17/07	16.30	T20	H 1-2	

Group I		1	2	3		
1	AUT					
2	LUX					
3	ISL					
		16/07	11.30	T25	I 2-3	
		17/07	09.00	T8	I 1-3	
		17/07	16.30	T21	I 1-2	

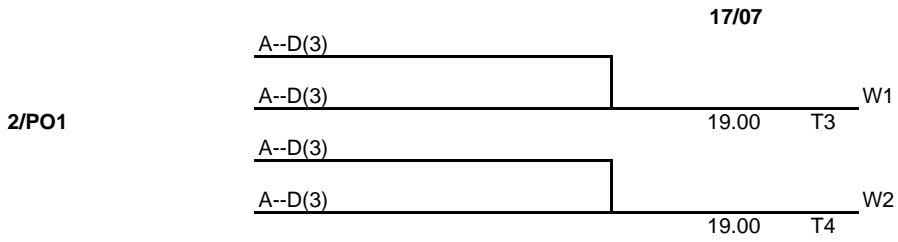
Group J		1	2	3		
1	GRE					
2	EST					
3	FIN					
		16/07	11.30	T26	J 2-3	
		17/07	09.00	T10	J 1-3	
		17/07	16.30	T22	J 1-2	

JUNIOR GIRL'S TEAMS

2nd STAGE

Play-off matches Nr.1

4 teams finished 3rd in groups A, B, C, D (A--D(3))

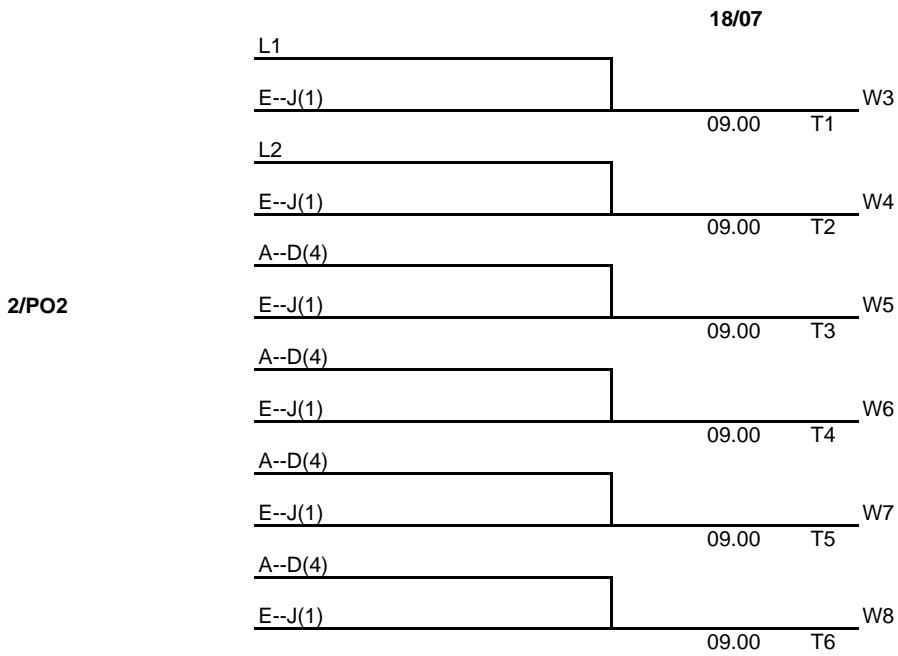


Play-off matches Nr.2

2 losers of play-off matches Nr.1 (L1, L2)

4 teams finished 4th in groups A, B, C, D (A--D(4))

6 winners of the groups E, F, G, H, I, J (E--J(1))

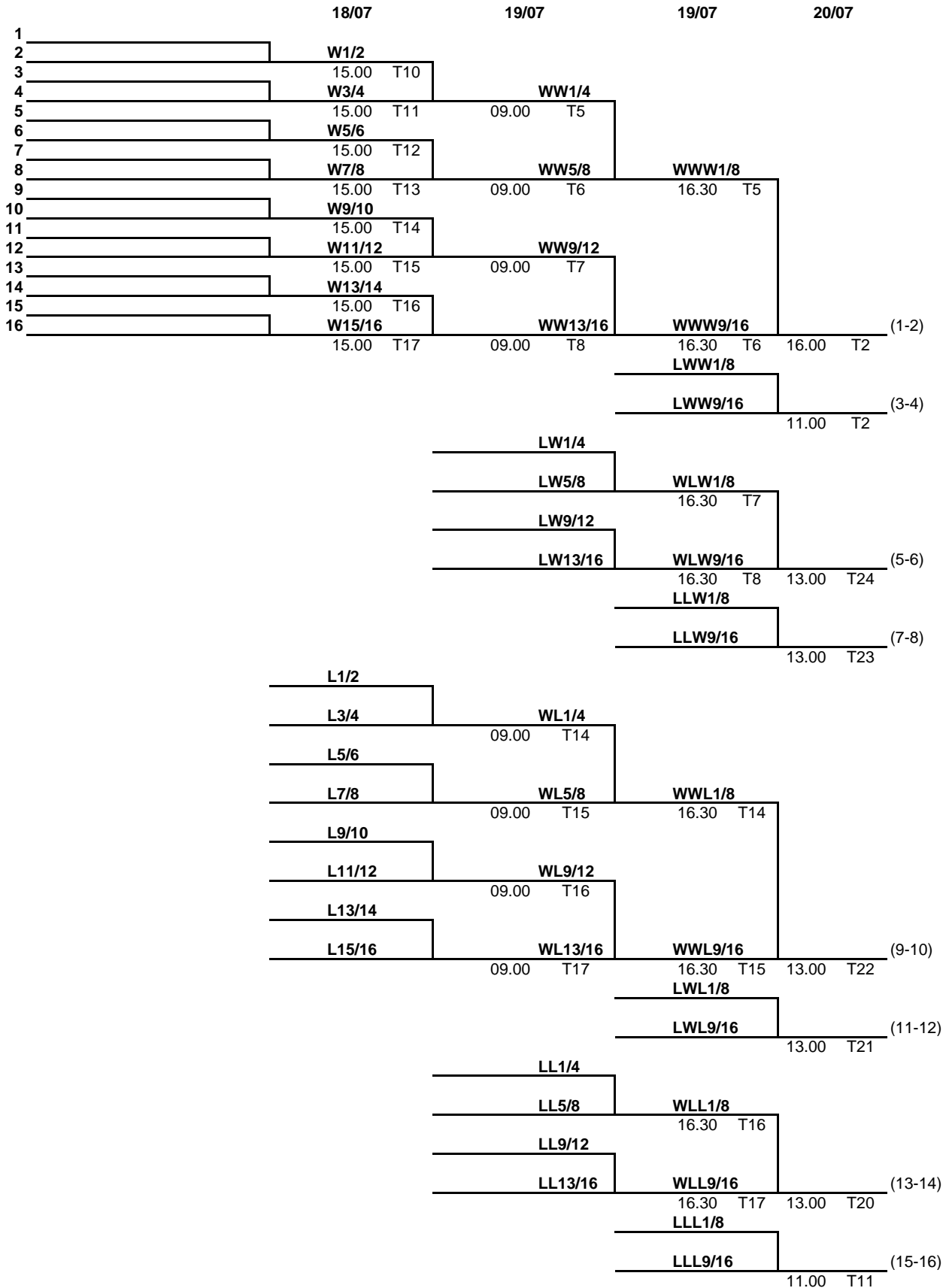


JUNIOR GIRL'S TEAMS

3rd STAGE

LEVEL 1

Final places 1-16



JUNIOR GIRL'S TEAMS

LEVEL 3

3rd STAGE

Final places 29-37

Entered 9 teams:

6 teams finished 3rd in groups E, F, G, H, I, J

3 teams finished 4th in groups E, F, G

Group O		1	2	3		
1						
2						
3						
		18/07	09.00	T18	O 2-3	
		18/07	13.00	T5	O 1-3	
		18/07	19.00	T14	O 1-2	

Group P		1	2	3		
1						
2						
3						
		18/07	09.00	T19	P 2-3	
		18/07	13.00	T6	P 1-3	
		18/07	19.00	T15	P 1-2	

Group Q		1	2	3		
1						
2						
3						
		18/07	09.00	T20	Q 2-3	
		18/07	13.00	T7	Q 1-3	
		18/07	19.00	T16	Q 1-2	

Group R		1	2	3		
1	O1					
2	P1					
3	Q1					
		19/07	09.00	T26	R 2-3	
		19/07	14.00	T10	R 1-3	
		20/07	09.00	T7	R 1-2	

Group S		1	2	3		
1	O2					
2	P2					
3	Q2					
		19/07	09.00	T27	S 2-3	
		19/07	14.00	T11	S 1-3	
		20/07	09.00	T8	S 1-2	

Group T		1	2	3		
1	O3					
2	P3					
3	Q3					
		19/07	09.00	T28	T 2-3	
		19/07	14.00	T12	T 1-3	
		20/07	09.00	T10	T 1-2	

_____ (29)

_____ (30)

_____ (31)

_____ (32)

_____ (33)

_____ (34)

_____ (35)

_____ (36)

_____ (37)